

# Panasonic

ideas for life

2005  
Conference Recording  
Speakerphone System  
**KX-TS730**



The Ultimate in Remote Communications





# The Expert in Remote Communications

## "Super-Sensitive, High-Fidelity Conference Recording Speakerphone"

Have you ever tried recording an important meeting with members in distant locations, and ended up with voices so poor that you couldn't understand what was said? Well, Panasonic has solved your problem with the super-sensitive, high-quality KX-TS730 Conference Speakerphone. The KX-TS730 lets you conduct crystal-clear meetings by simply connecting it to an analog phone line.

New functions like high-performance microphones and high-precision echo cancellers ensure that your company's long-distance communication sessions get recorded in their entirety with clear, sharp sound. Since you don't have to worry about your communication system anymore, you can concentrate fully on your meeting.



### The Panasonic recording function solves problems in a variety of situations.



#### Contact and conferences between companies and branch offices.

Teleconferences can be easily set up because the recording function is always ready. During the conference, all participants can concentrate on the discussion because nobody needs to worry about taking minutes. The conference content can also be divided into as many as 64 items, simplifying the task of writing up the minutes at a later time.



#### Communication between stores and branches.

Important meetings to explain new products or announce company policy can be recorded so that anyone who was not able to attend can listen to them later. Since the recording preserves the actual mood of the meeting, it is easy to ensure full understanding of complex matters such as company policy.



#### Communication between public agencies and regional offices.

When important meetings are suddenly called, the system can be easily carried to wherever it is needed, and recording can start immediately. This makes it less likely that any of the meeting content will be missed. Also, at the point where only six minutes of recording time is left, a remaining time indication appears on the LCD display. This reminder further helps to prevent missed recordings.



#### Communication for telemedicine applications.

Even when they are in remote locations, doctors can discuss a patient's treatment methods and ask specialists for their opinions of the patient's condition. Since the content is recorded, the conversation can be listened to any number of times, and can be recorded onto other media by using the AUDIO OUT jack, so other people can listen as well.



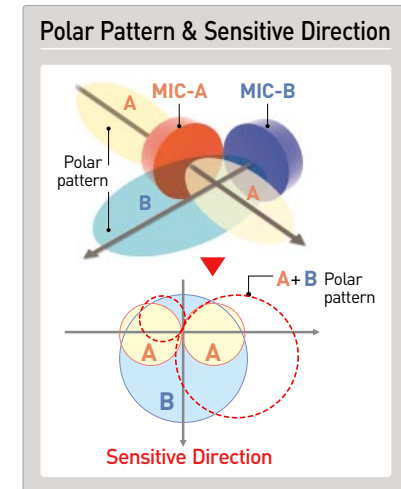
#### Corporate communication through interpreters.

The system is highly convenient for conducting important business matters through interpreters, such as discussing legal agreements over the telephone between companies in distant locations. Because the discussion is recorded, it can also be used to make sure that there were no interpreting errors, and to reconfirm the content in detail. This ability is very reassuring when important matters are at stake.

### Clearer and Easier to Hear.

#### Complete Recording Even for 20-Person Meetings Highly Sensitive Mid-Side Microphones

The KX-TS730 mic unit consists of four sets of paired microphones, making a total of eight, that collect sound in 360 degrees. This eliminates recording gaps even in meetings of around 20 people. Two highly sensitive Hyper Cardioid Microphones, each with different performance characteristics, work together as a pair.



#### Rich Sound with Minimal Distortion Efficient Digital Amplifier

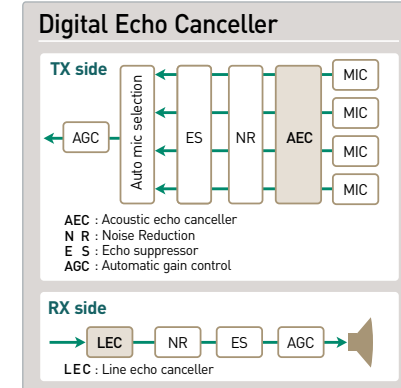
Enjoy rich playback sound with minimal noise and distortion. The KX-TS730 suppresses the noise that often affects small signals in the input stage of conventional analog circuits. Sounds in the range of the human voice are efficiently picked up, and a high-output digital amp keeps them crisp and clear.

#### Super-Clear Sound Reproduction High-Performance Neodymium Speaker Unit

The magnetic flux density and ferromagnetic power of the neodymium magnet used in the KX-TS730 far exceeds those of conventional ferrite magnets. This heightens the speaker response to produce truly crisp, clear playback sounds. No more having to strain just to hear what was said, or playing back the same portions repeatedly to figure out the conversation.

#### Sound-Distorting Echoes Suppressed High-Precision Digital Echo Cancellers

To control echoes in the KX-TS730, isolated echo cancellers are provided for each of the four microphone pairs. Echo remnants are further checked by noise reduction and echo suppressors to transmit ultra-clear sounds. A circuit echo canceller is also provided for the receiving side. This combines



with the noise reduction and echo suppressors to boost clarity even more during reproduction, boosting the quality of recorded meetings or lectures significantly.

#### Optimal Sound Pick-Up Auto Mic Selection

The direction of the person speaking is detected, and the sensitive Hyper Cardioid Microphones are automatically selected to optimize the sound-collecting conditions. You get clearer sounds and less noise.

#### Even Tiny Sounds Are Easy to Hear Two-Way Noise Reduction

This function reduces environment and line noise on both transmitting and receiving sides. This lowers offensive noises to make sounds even clearer, so even minute sounds are easy to hear.

#### Long-Time, Good-Quality Conference Recording Auto-Recording Level Adjuster & ADPCM Recording

Even when the volumes of the transmitting and receiving sides change, the recording level is automatically optimized. Also, in addition to the long recording time capability of up to 120 minutes, ADPCM digital recording ensures high sound quality with minimal noise.

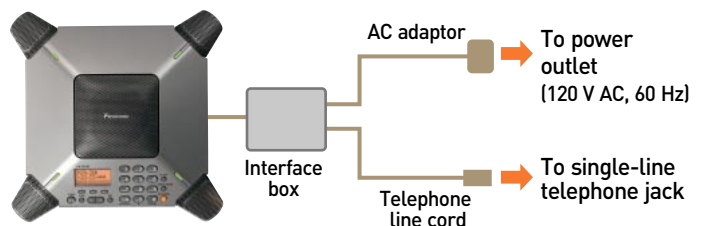
# Specifications

Conference Recording Speakerphone System	<b>KX-TS730</b>
<b>General</b>	
Color	Titanium Silver
Number of Phone Lines	1
Full Duplex Conference	Y
Language	English/Spanish
12 keypad	Y
Caller ID	Y
Caller ID Memory	50
Phone Book	100
Dialer Storage Capacity (# of digits per station)	32
Conference Recording	120 min ( up to 64 items)
NEW Message Playback	Y
ALL Message Playback	Y
FF/REV/Stop	Y
Skip/Repeat	Y
ALL/Individual Erase	Y
Mute	Y
Flash	Y
Pause	Y
Redial	Y
History Redial	10
Ringer Patterns	3
Ringer Volume	Off, Low, Mid, High
SP-Phone Volume	16 Steps
LCD	Full Dot
LCD Contrast	6 Levels
Programmable Tone/Pulse	Y
Status Indicator LED	Green : Talk, Red : Mute
<b>Microphone</b>	
Microphones	2 x 4 couples (300 - 3500 Hz)
High Precision Digital Echo Canceller	Y
Automatic Mic Selection	Y
Noise Reduction System	Surrounding / Line Noise
<b>Loudspeaker</b>	
Frequency Response	300 - 3500 Hz
Neodymium Magnet	Y
Effective Digital Amplifier	Y
Loud Speaker Sound	94dBA SPL / 0.5m
<b>Interface</b>	
Audio Out Jack (for external recording device)	Y
<b>Speakerphone Unit Dimensions</b>	
Height (mm)	64
Width (mm)	279
Depth (mm)	279
Weight (g)	970
<b>Interface Box Unit Dimensions</b>	
Height (mm)	32
Width (mm)	67
Depth (mm)	76
Weight (g)	60

# Controls and Display



# System Diagram



- Note:**
- Use only provided Panasonic AC adaptor PQLV10 (9V/850 mA) for proper product operation. In case of power outage, this product will not work.
  - The AC adaptor must remain connected at all times. (It is normal for the adaptor to feel warm during use.)
  - The AC adaptor should be connected to a vertically oriented or floor-mounted AC outlet. Do not connect the AC adaptor to a ceiling-mounted AC outlet, as the weight of the adaptor may cause it to become disconnected.