

Specifications

SMART Board™ Interactive Whiteboard System

Model 685ix

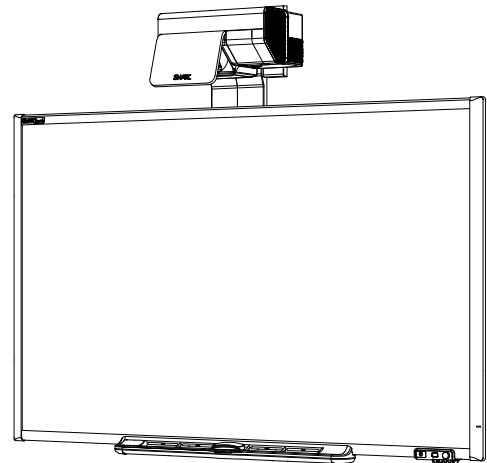
Physical Specifications

SMART Board™ 685 Interactive Whiteboard

Size	77 1/2" W × 49 1/2" H × 5 1/8" D (196.9 cm × 125.7 cm × 13 cm)
Active Screen Area (maximum interactive, projected image)	74" W × 46 1/8" H (188 cm × 117.2 cm) 87 1/8" (221.3 cm) diagonal 16:10 aspect ratio
Weight	42 lb. (19.1 kg)
Shipping Size	54" W × 86 1/4" H × 5 1/2" D (137.2 cm × 219.1 cm × 14 cm)
Shipping Weight	63 lb. (28.6 kg)

UX60 Projector System

Projector Size	17 2/5" W × 10 1/2" H × 16 1/2" D (44.2 cm × 26.7 cm × 41.9 cm)
Projector Weight	22 lb. (10 kg)
Extended Control Panel	6" W × 2 5/8" H × 2 2/8" D (15.2 cm × 6.6 cm × 5.8 cm)
Remote Control	1 5/8" W × 3 3/8" H × 1/4" D (4 cm × 8.6 cm × 0.7 cm)
Shipping Size Projector Box	18 6/8" W × 18 1/8" H × 22 5/8" D (47.5 cm × 47.1 cm × 57.5 cm)
Shipping Weight	39 lb. (17.7 kg)



All dimensions +/- 1/8" (0.3 cm). All weights +/- 2 lb. (0.9 kg).

Standard Features

Software	Includes SMART Notebook software. See the SMART Notebook software specifications for a complete list of system requirements. Software upgrades are available from www2.smarttech.com/st/en-US/Support/SBS/ .
Certifications and Compliance	UL (U.S./Canada), CB, CE, FCC, China EIP, RoHS (Europe), WEEE, VCCI (Japan) and C-Tick (Australia)
Warranty	The projector and extended control panel (ECP) have a three-year limited equipment warranty. The UX60 projector lamp has a 500 hour/90 day warranty. Your interactive whiteboard has a two-year limited equipment warranty or a five-year limited equipment warranty upon registration. See included warranty documents for details.
Cables	Includes the necessary cables to connect the projector to the extended control panel. A 4.5 m power cable, 2 m ECP harness cable, 2.8 m wire management bundle and 1.8 m SC9 connector cable are included. However, you must supply the appropriate input cables for additional computers and devices.
Wire Management Bundle	A wire management bundle is included to connect secondary computers to the extended control panel and the UX60 projector.

Interactive Whiteboard Features

Pen Tray	Optical sensors in the pen tray detect when you lift a pen or the eraser from the tray. LED lights indicate the active tool.
Pens and Eraser	Black, blue, red and green pens and a rectangular eraser.
Resolution	Touch resolution is approximately 4000 × 4000.
Screen Surface	The hard-coated surface is tear proof, optimized for projection, compatible with dry-erase markers and easily cleaned with whiteboard cleaner.
Digitizing Technology	Resistive technology
Frame Finish	Dark gray (approximates Pantone® Charcoal Gray 18-0601 TPX) and Ultrasonic Chrome (approximates metallic Pantone 877C)
Wall-Mount Bracket	Includes two 32" (81.3 cm) wide brackets, 10 screws and 10 drywall anchors to support your wall-mounted interactive whiteboard.
Projector Mounting Template	This template ensures simple installation and accurate alignment between the UX60 projector and your SMART Board 685 interactive whiteboard.
Installation Instructions	Don't use the installation instructions included in your SMART Board interactive whiteboard box when installing your SMART Board 685ix interactive whiteboard system. The installation instructions for your SMART Board 685ix interactive whiteboard system are included with the UX60 projector.

Theft Prevention The SMART Board 685 interactive whiteboard features a pen tray locking feature and a Kensington® security slot on the pen tray.

UX60 Projector System Features

System Components Ultra-short-throw UX60 projector, mounting bracket, extended control panel (ECP), remote control, cleaning cloth and all necessary input cables from the ECP to the projector.

Image Adjustment The adjustment module includes five mechanical adjustments for aligning the projector image with your interactive whiteboard. The projector also has a focus dial and a digital on-screen menu for brightness, contrast and other image-related attributes.

Display Type Native resolution WXGA 1280 × 800 projector

Display Technology The projection engine uses single chip DLP® technology by Texas Instruments®, providing Brilliant Color™ performance, High Contrast, and Gamma 2.1 correction with Bright Classroom, Dark Classroom, sRGB, User or SMART Presentation modes and a six segment color wheel.

Brightness Estimated at 2000 lumens (typical) at a CCT of 6500 K by the IEC method

Lamp Life 2500 hours (Standard 230 W mode) or 4000 hours (Economy 190 W mode)

Aspect Ratio Native aspect ratio of 16:10 and support for 16:9, 5:4 and 4:3 ratios

Contrast Ratio 2000:1

Video System Compatibility HDTV (720p and 1080i) video system compatibility and HD-Ready (HDMI™ technology and 720p) available, NTSC, NTSC 4.43, PAL, PAL-N, PAL-M, SDTV (480i/p and 576i/p) and SECAM

Video Interface Compatibility VGA (RGB or Component), S-video, Composite Video and HDMI

Synchronization Auto image synchronization (auto tracking, frequency, position adjustment, source detect and phase detect)

Mounting Hardware Includes safety tether, limit strap, hardware for mounting the UX60 projector to framed, hollow and solid walls and the hardware for mounting the ECP to the interactive whiteboard.

Input/Output Connections

- 3-pin mini-DIN 5V/1A output connector
- 4-pin power mini-DIN 5V/2A output connector (reserved for ECP harness cable)
- 7 pin mini-DIN connector (reserved for ECP harness cable)
- S-video input and associated dual channel audio input (two RCA jacks)
- RJ45 jack for network connections
- USB B receptacle (reserved for service access)
- Power socket
- RGB output and associated audio output (3.5 mm jack)

4 | **SPECIFICATIONS** – SMART BOARD INTERACTIVE WHITEBOARD SYSTEM – MODEL 685ix

	<ul style="list-style-type: none">• Two RGB inputs and associated audio input (3.5 mm jack)• RS-232-F connector (DB9 receptacle)• RCA jack composite video input and associated audio input (two RCA jacks)• HDMI input port
Projector Fan	<ul style="list-style-type: none">• Standard speed—0 to 6000' (0 m to 1829 m): 5° C to 35° C• High speed—6000' to 6800' (1829 m to 2073 m): 5° C to 30° C
Projector Noise	36 dBA (high fan speed) or 31 dBA (standard fan speed), measured using JIS method
Power Requirements	100V AC to 240V AC, at 50 Hz to 60 Hz
Power Cable	Includes one 14' 9" (4.5 m) power cable
External Control	RJ45 connector for ethernet connections (cable not supplied) and RS-232 serial for room control systems
Power Consumption	310 W (Standard mode), 2 W (Standby mode) and 260 W (Economy mode)
Remote Control	Provides the primary method of controlling the UX60 projector settings
Theft Protection	The UX60 projector system features optional security screws on the projector plate to safeguard the adjustment knobs and two optional padlocked rings to secure the system to the mounting bracket. The projector will function if it's separated from the ECP, but only if the remote is available. The projector will function if it's separated from the remote, but only if the ECP is connected. A Kensington security lock slot is provided to secure the system to a wall as a visual and physical theft deterrent.

Extended Control Panel (ECP) Features

Input/Output Connections	<ul style="list-style-type: none">• Three USB A receptacles (for peripheral devices)• Three RCA jacks (composite video input) and associated audio input (3.5 mm jack)• USB B receptacle (primary computer)• DB15-M socket (ECP harness cable only)• USB B receptacle (secondary computer)• RJ11 6-wire jack for SC9 connector cable• USB B receptacle (primary computer)• USB A receptacle (SMART Board interactive whiteboard only)
Volume Control	Controls sound range
Power Button	Turns the projector on and off
Input Selection Buttons	Selects the projector video and audio inputs through the available input sources: VGA1, VGA2, Composite, S-video and HDMI. The USB Hub recognizes dual PC switching, and allows the USB A ports to be disabled.

Storage and Operating Specifications

- Storage**
- Maximum storage temperature: 104°F (40°C)
 - Minimum storage temperature: -4°F (-20°C)
- Operation**
- 41°F to 95°F (5°C to 35°C) from sea level to an altitude up to 6000' (0 m to 1829 m)
 - 41°F to 86°F (5°C to 30°C) from 6000' to 9800' (1829 m to 2987 m)

SMART Order Numbers

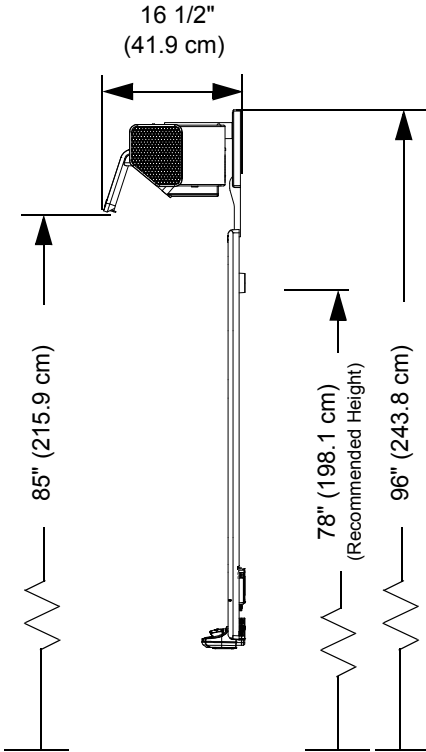
- SB685ix** 87 1/8" (221.3 cm) diagonal SMART Board 685 interactive whiteboard with a UX60 projector system
- 20-01175-20** Replacement projector lamp

Optional Accessories

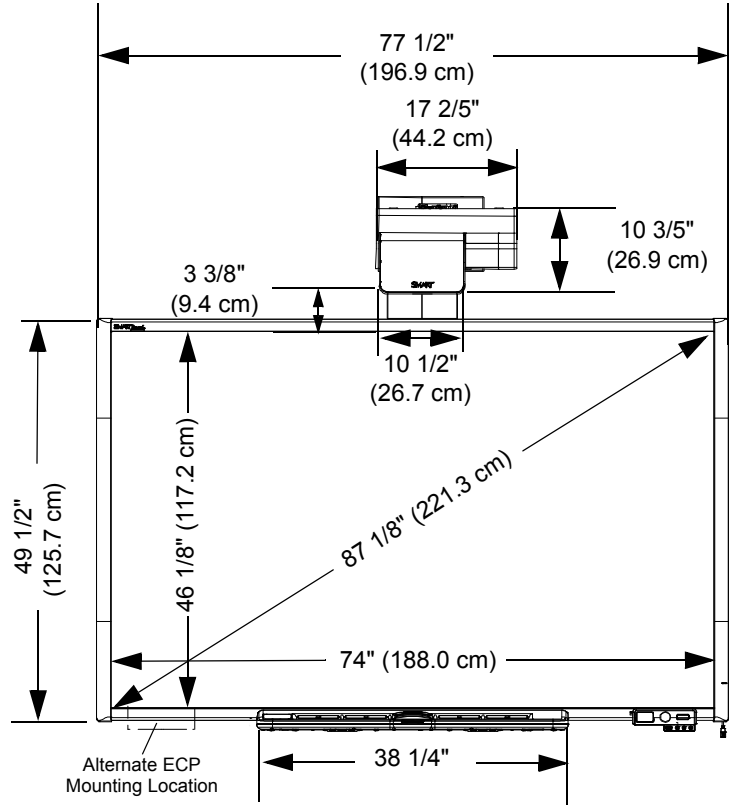
- RPEN-ER** Replacement set of four pen tray pens (black, red, blue and green) and a rectangular eraser
- RPEN** Replacement set of four pen tray pens (black, red, blue and green)
- SBA** USB Audio system for SMART Board 600i interactive whiteboard systems

Physical Dimensions

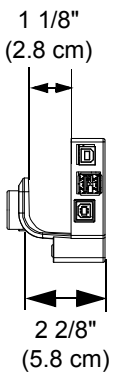
Right Side View



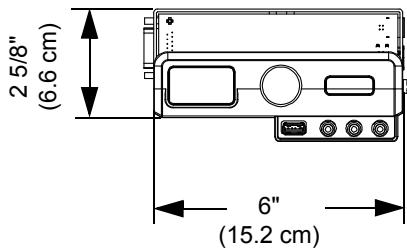
Front View



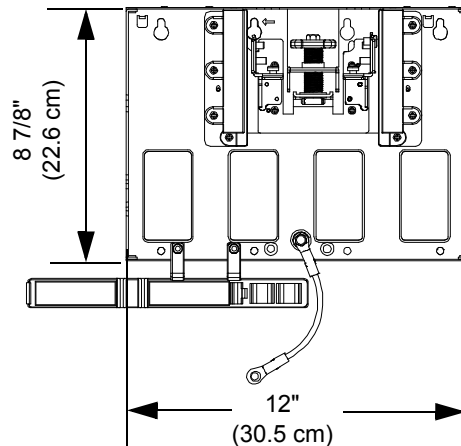
ECP Right Side View



ECP Front View



Projector Mounting Bracket



www.smarttech.com/support www.smarttech.com/contactsupport
 Support +1.403.228.5940 or Toll Free 1.866.518.6791 (U.S./Canada)

