



LifeSize® Camera 200™ Specifications

Camera

Resolution	1920x1080 / 1280x720
Frame Rate	30 fps @ 1080p / 60 fps @ 720p
Shutter Speed	1/30, 1/50 (50Hz), 1/60, 1/100 (50Hz), 1/120 second
Format	16:9
Illumination	150 lux to daylight
Exposure	Auto/EV adjustment
White Balance	Auto/Manual
Focus	Auto, Passive Contrast
Focus Range	24" to Infinite

Lens and Image Sensor

Lens Construction	12 element zoom
Aperture	F/3.0 – F/3.5
Distortion	Less than 4.7%
Sensor Type	CMOS
Effective Pixels	2,073,600
SNR	35 dB

Pan/Tilt/Zoom

Pan angle	+/- 80°
Tilt angle	+/- 50°
Optical Zoom	4.0x
Horizontal Field of View	15.2° to 70°
Aperture Priority	Fixed

Features

Tripod mount	Standard ¼-20 tripod mount
Self Check-up	yes
Presets	10

Interface

1 x HD Camera Port (1080p/720p)

1 x HDMI (3M/ 9.8 ft)

Power Supply

Universal input AC/DC provided
100-240VAC 50/60HZ
20w typical, 46w maximum

Lens Cap

Included

Overall Dimensions

Width	160mm (6.3")
Depth	160mm (6.3")
Height	138mm (5.4")
Shipping Weight	1.45 kg (3.2 lbs)

Environmental Parameters

Operating temperature:	0°C (32°F) to 40°C (104°F)
Operating Humidity:	15% to 85%, non-condensing
Storage temperature:	-20°C (-4°F) to 60°C (140°F)
Storage humidity:	10% to 90%, non-condensing

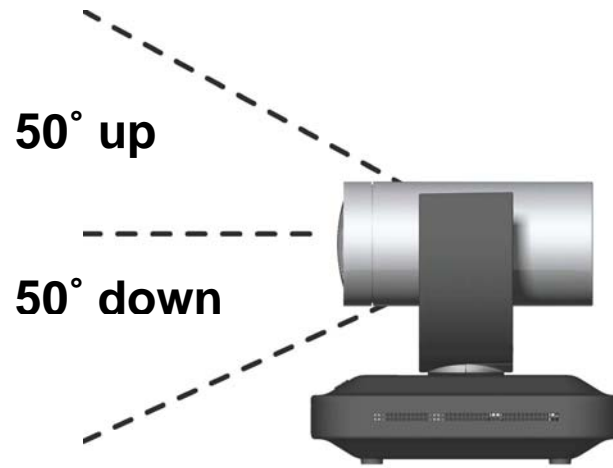


LifeSize Camera 200

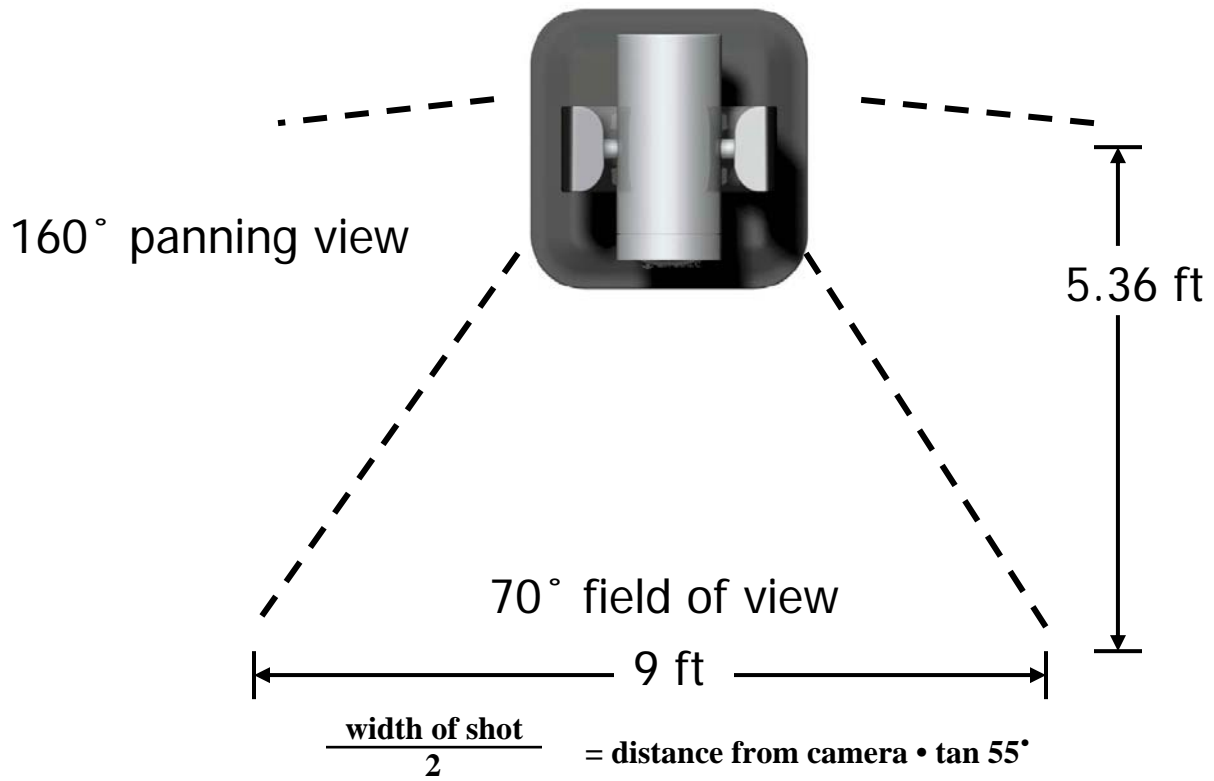


LifeSize Camera 200 combined with LifeSize Room 200

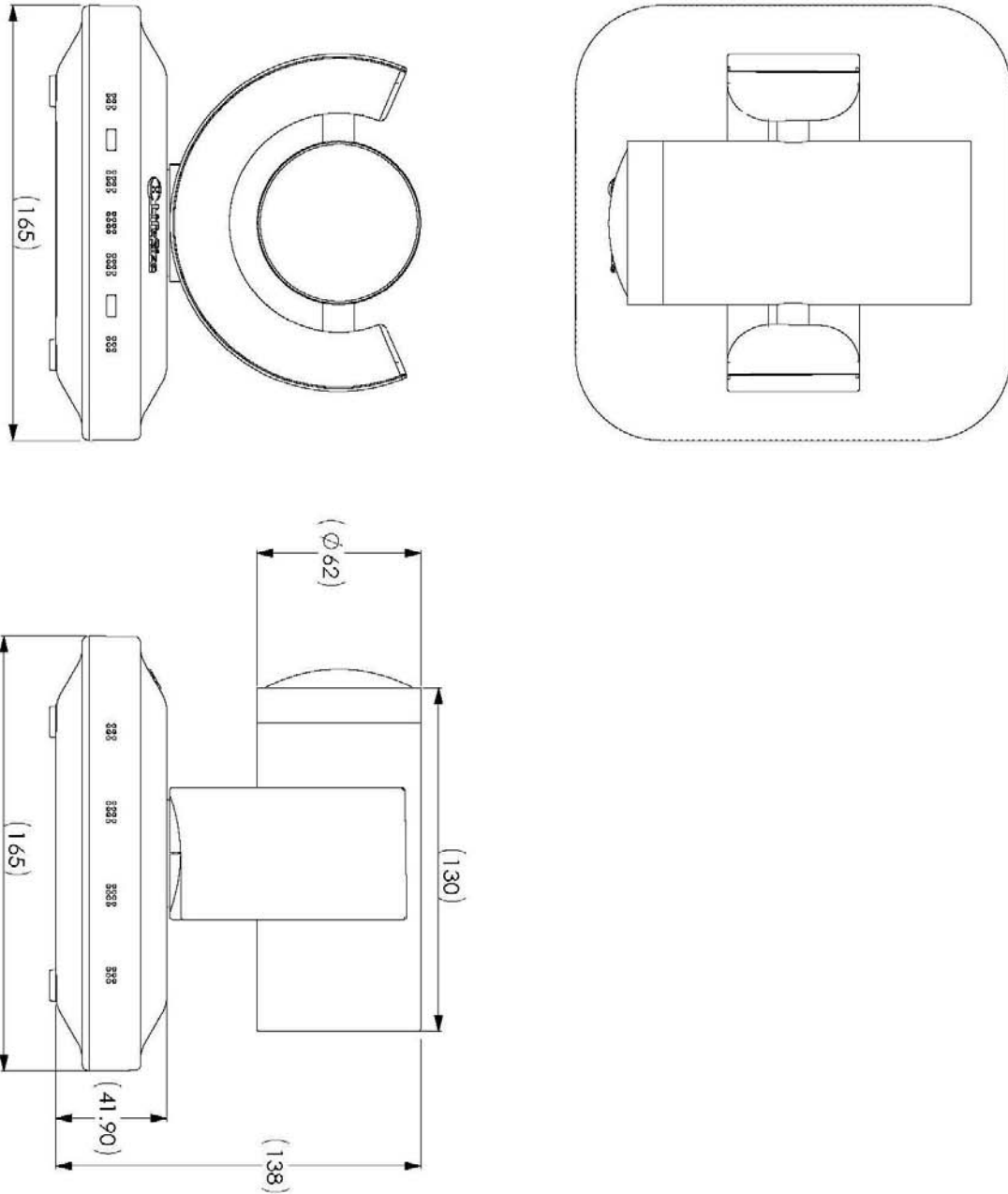
Tilt Range



Pan Range



Dimensions



Corporate Headquarters
901 S. Mopac Expressway
Building 3, Suite 300
Austin, Texas 78746 USA

Phone: +1 512 347 9300
Fax: +1 512 347 9301
Email: info@lifesize.com
www.lifesize.com

EMEA:
LifeSize Communications
Toll-Free Europe
008000 99 09 799

APAC:
LifeSize Communications
Hong Kong
Phone: +852 8239 3695